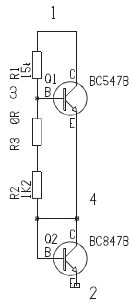
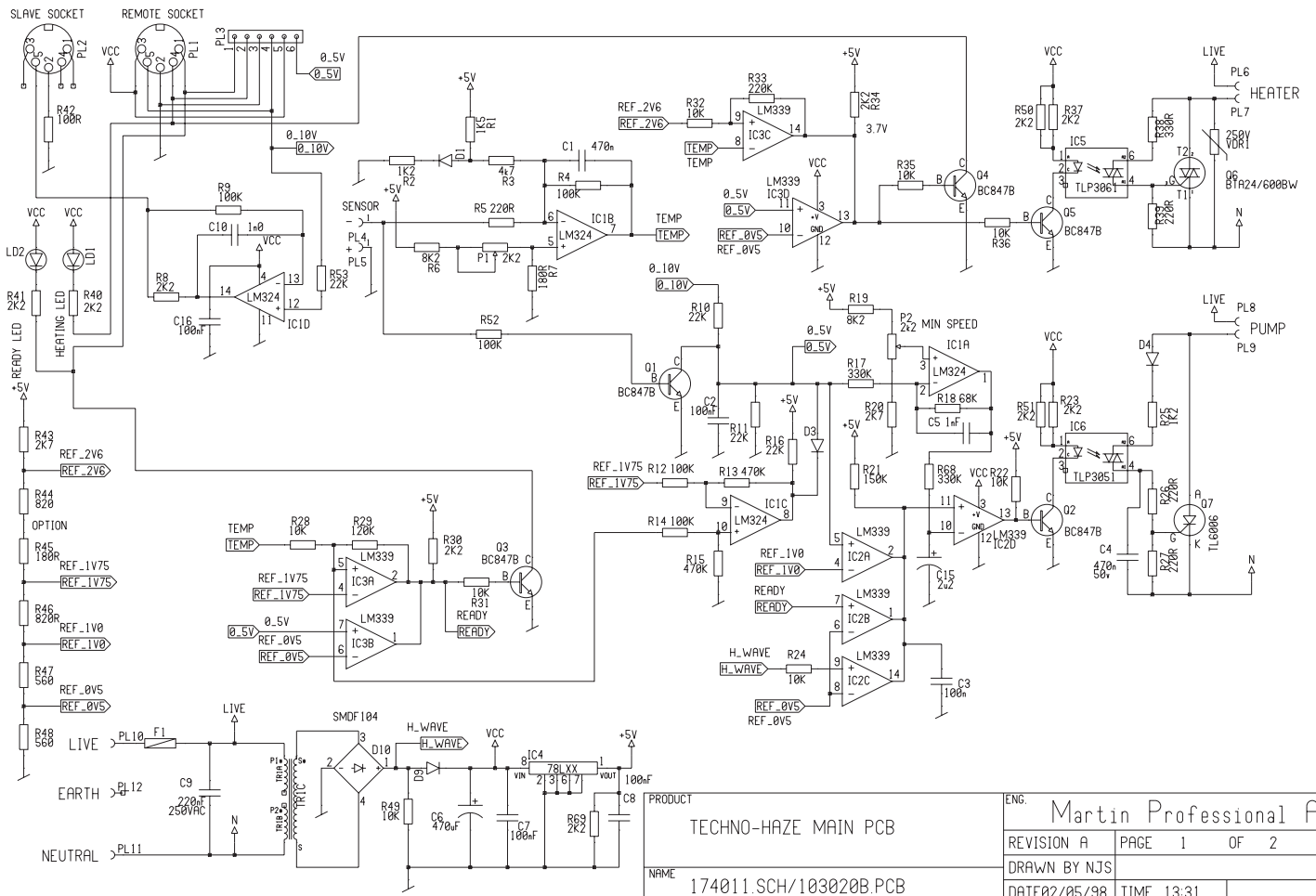


PRODUCT		ENG	
TECHNO-HAZE FLUID INTERFACE PCB		JEM SMOKE PLC	
NAME	174012/37057A	REVISION A	PAGE 1 OF 1
		DRAWN BY NJS	
		DATE 19/5/98	TIME 13 59



PRODUCT	TECHNO_HAZE FLUID SENSOR PCB		ENG	JEM SMOKE PLC	
REVISION	A	PAGE	1	OF	1
NAME	174013 SCH/37058A PCB		DRAWN BY	NJS	
DATE	1/9/98	TIME	11 32		



PRODUCT		TECHNO-HAZE MAIN PCB	
NAME		174011.SCH/103020B.PCB	
ENG. Martin Professional A/S			
REVISION A	PAGE 1	OF 2	
DRAWN BY NJS			
DATE 02/05/98	TIME 13:31		